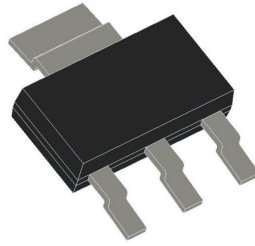


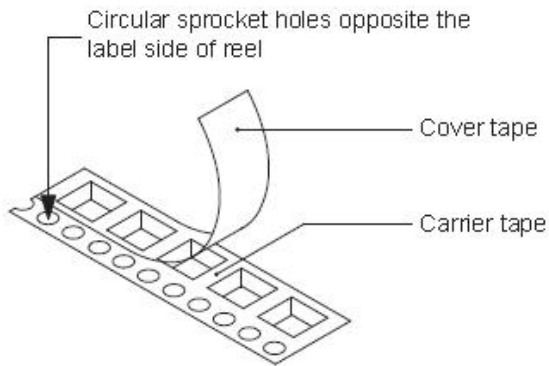
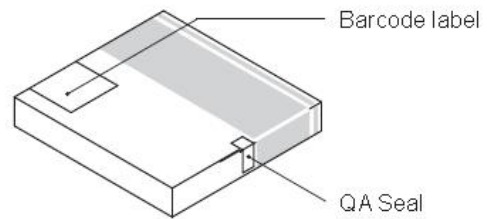
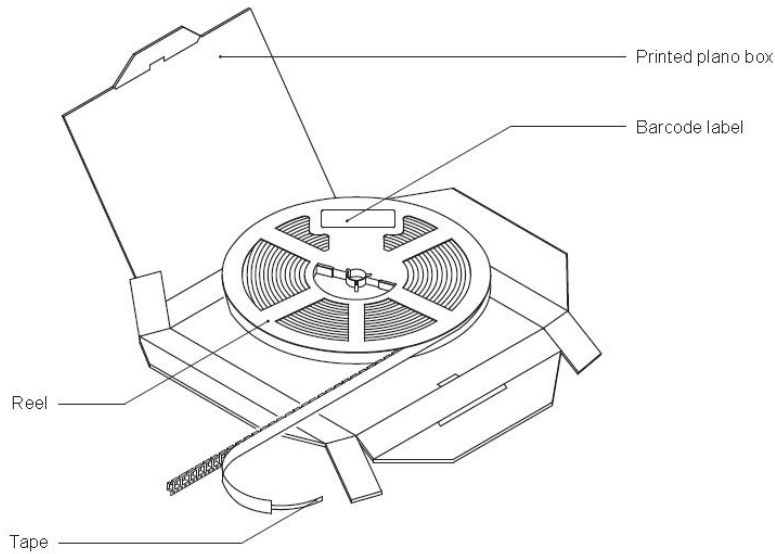
B011, Rev. -

1. Finish Goods PKG photo



2. Packing method

13" Packing procedure



7" Packing procedure

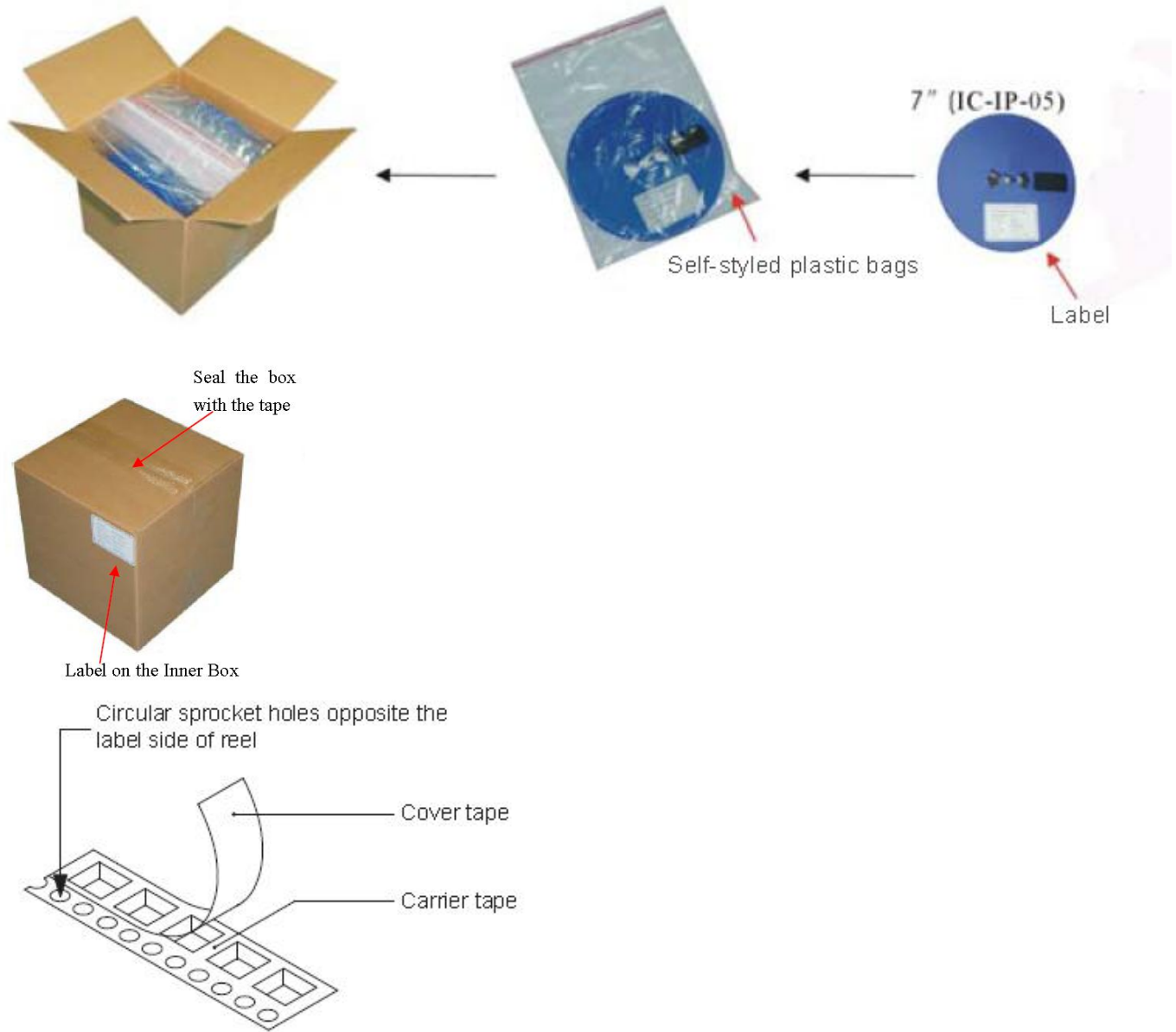


Fig.1- Reel pack for SMD

Table 1. Packing information

Package version	Reel dimensions $\phi \times H$ (mm)	Per reel (pcs)	Reel Weight (Kg)	Reels per box	Inner box dimensions L×W×H (mm)	Inner box weight (Kg)	Outer box weight (Kg)
SOT-223	$\Phi 330 \times 17.6$	3000	0.68	2	336*336*48	1.51	13.5
	$\Phi 180 \times 16.5$	1000	-	10	203*203*195	-	-

3. Product orientation

Standard product orientation SOT-223

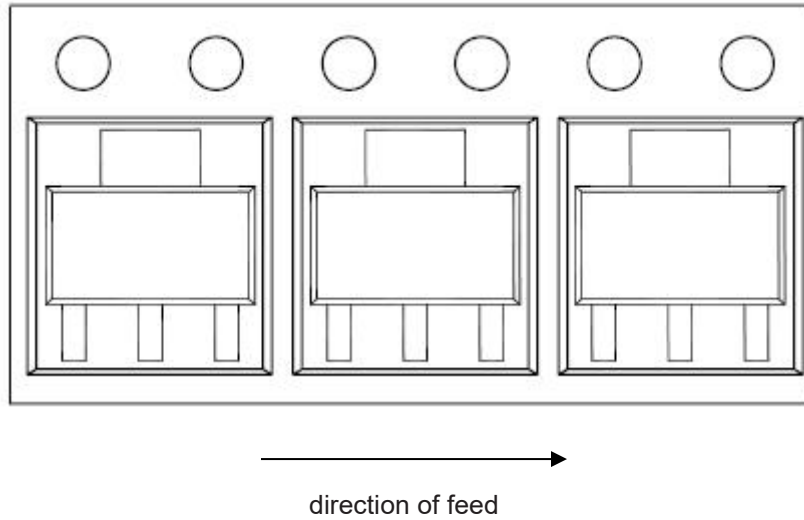


Fig 2. Product orientation in carrier tape

4. Carrier tape dimensions (In mm)

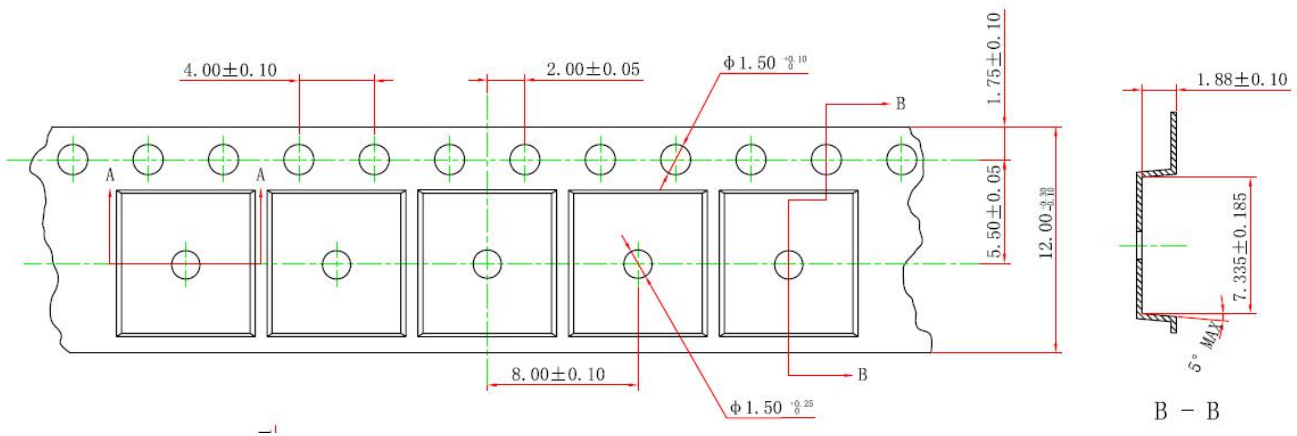
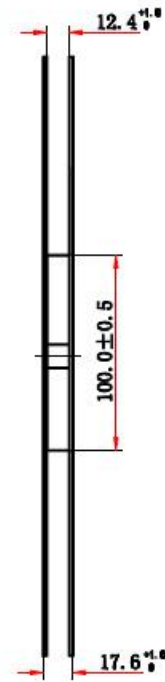
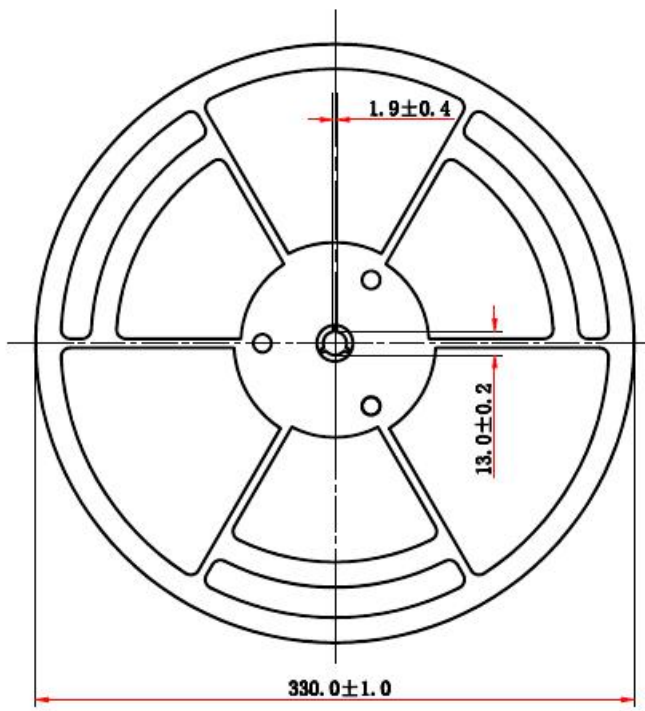


Fig 3. Carrier tape dimensions

5. Reel dimensions (In mm)

13"



7"

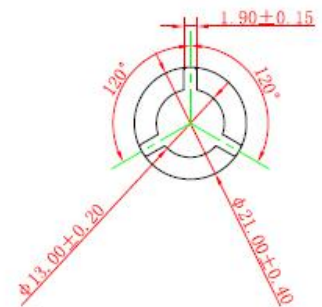
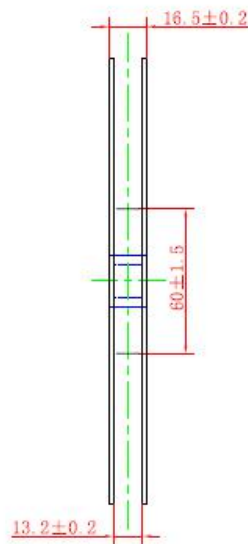
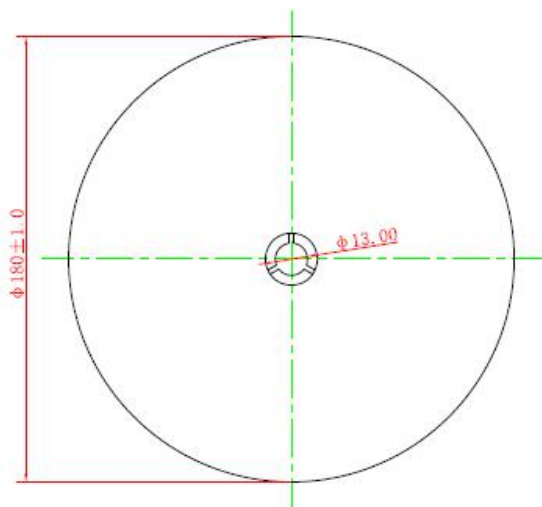


Fig 4. Reel dimensions